

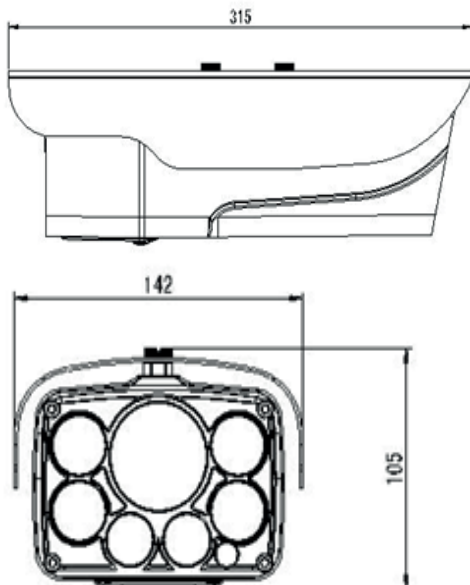


QVIS® | WDR LICENSE PLATE RECOGNITION

KEY FEATURES

- 2MP CMOS True WDR, SONY sensor.
- True WDR≥120dB.
- H.265 codec, save 50% bandwidth and storage.
- Support 3 codec : H.265, H.264, MJPEG.
- Support license plate detection and capture.
- Support license plate, colour, type identification.
- Support white list.
- Support license plate recognition in defined area.
- Capture mode: front license plate, backside license plate.
- Trig mode: video trig, winding trig, mixed.
- Support burst mode.
- Support image upload to cloud server through private protocol, FTP or HTTP.
- Sensitivity, threshold value, trig time can be setup.
- Support strong lights inhibition to protect image over-exposure in the bright light area.
- Support virtual winding setup.
- Picture OSD function, Date, time, location, license plate, colour, type of car and so on.
- Support Shutter, 1s to 1/10000s.
- Support slot Micro SD (64G) for local storage.
- Support IP66 and IK10.
- 6 LED white lights.

DIAGRAM Unit (mm)



SPECIFICATION	ANPR-CAM-2MP
Hardware	
CPU	HI3516D
Sensor	1/2.8" Progressive Scan CMOS Sensor
Effective Pixels	2.1MP 1920 x 1080
Low Light	Colour 0.05Lux @F1.2 (ICR); B/W0.001Lux @F1.2 (ICR)
S/N Ratio	≥50db (AGC OFF)
WDR	≥120db
ICR	Optional (-IR or -White Light)
Interface	
Optic Lens	Fixed lens: 4, 6, 8, 12, 16mm optional; 2.8-12mm varifocal lens; 2.8-12mm motorised zoom lens optional
Audio Input / Output	1 line input, mic input / 1 audio output
Storage Interface	Support Micro SD(TF)card, support Max 64G
Internet Interface	1 RJ45 10M / 100M Adaptable Ethernet
I/O Input / Output	2 on-off input / 2 on-off output (AC120V 1A/DC24V 1A), 1 RS485, 1 RS232
A/V Encoding	
Video Encoding	H.265 MainProfile,H.264,MJPEG
Resolution	Main stream: 50Hz: 25fps (1920×1080,1280×720) 60Hz: 30fps (1920×1080,1280×720) Sub stream: 720*576 1-25 30fps 640*4801-25(30)fps 320*2401-25(30)fps
Video Bit Rate	30Kbps, 16Mbps,support CBR/VBR
Text Overlay	Channel title, date, time, bit rate, overlay position adjustable
Audio Encoding	G.711A, G.711U, G.726
Data Transmission and storage	
Data Storage	Video, picture file
Storage System	Manual, auto (circle, timing, alarm, motion detection)
Alarm Data Transmission	FTP, E-mail, Browser, Management software
Support Protocol	TCP/IP, UDP, RTP, RTSP, RTCP, HTTP, DNS, DDNS, DHCP, FTP, NTP, PPPOE, SMTP, UPNP
Third Party Protocol	Support ONVIF / GB28181
IE Browser	Support IE6.0 and above, max support 16 users access
Phone	Support iPhone, Android
Regular Specs	
Working	-40°c - +55°c / 0% - 90%
Water-proof Level	IP66
Power Supply	DC 12V / 2A
Power Consumption	15W (MAX)
Dimension (mm)	315 (Length) * 142 (Width) *105 (Height)
Weight	2.1kg

